

## CUBE PICK & PLACE ROBOT

### Next generation robot cell

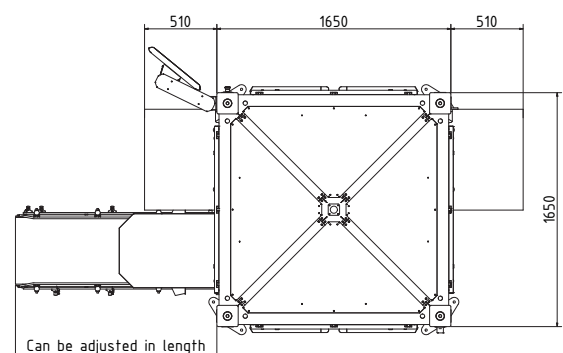
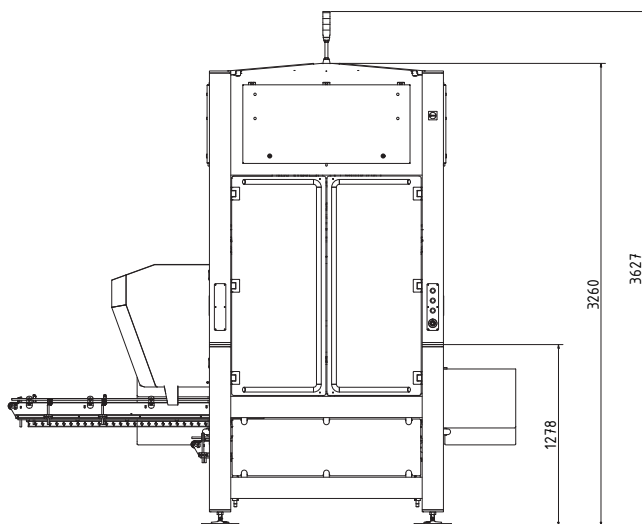
#### State-of-the-art robot

CUBE is a state-of-the-art robot. It represents the next generation robot cell. It is a future-proof robot cell that is designed and developed with focus on minimal operating and maintenance costs as well as high uptime.

CUBE is a natural development from our many years of experience with palletizing with robots that make logistics more effective.

## Technical specifications CUBE Pick & Place Robot

Specifications	
Capacity	Up to 180 rep./minute according to size and weight of the product
Dimensions	1650x1650x3627 mm (LxWxH)
Work area	Diameter 1200 mm, height 225 mm
Repetition accuracy	+/- 0,1 mm
Max speed	10 m/sec.
Max load capacity	Up to 15 kg
Min/Max inlet height	700-1000 mm
Width of product and box conveyor	450 mm



Specifications and photos are intended as a guide and can be changed by QUPAQ without notice. We make reservations for misprints and typing errors.